

# ZA312

PR41  
Hearing Aid Battery  
Swiss Made

## Technical Data Sheet

### Specifications

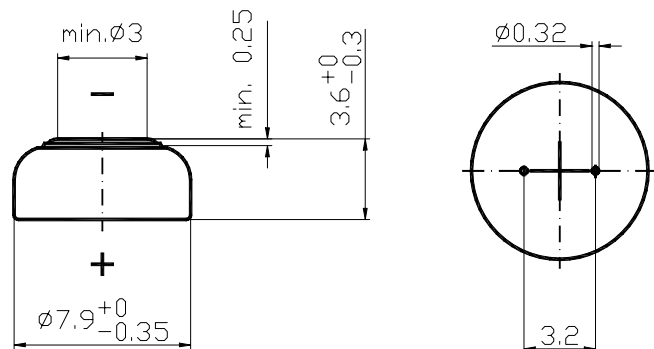
Chemical system	Zinc / Air
Nominal Voltage	1,4 V
Capacity	150 mAh, Discharge over 1,500 k $\Omega$ 12 hours per day at 20°C to 0,9 V
Operating Temperature	0°C – 50°C
Self Discharge	Less than 5% per year at 20°C with label applied
Weight	~0,60 g

**These batteries need air when they are used.  
Battery compartment must allow free access of air.**

### Dimensions

(according IEC 60086-2)

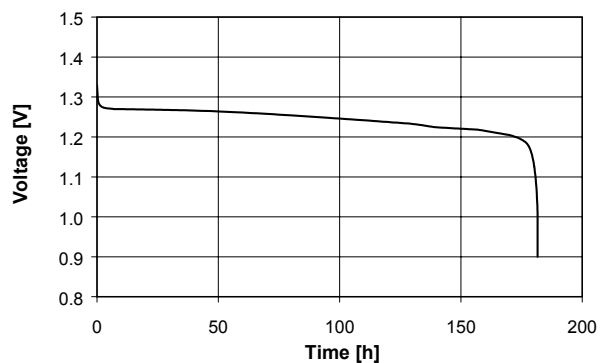
Diameter	7,9 mm (0,311")
Height	3,6 mm (0,142")



### Discharge Curve

12 hours per day at 20°C, 7 days/week, 50% rh

Constant Load	1,500 k $\Omega$
Average current Drain	0,83 mA



Rev. ZA312.09 06/02