

ZA675

PR44
Hearing Aid Battery
Swiss Made

Technical Data Sheet

Specifications

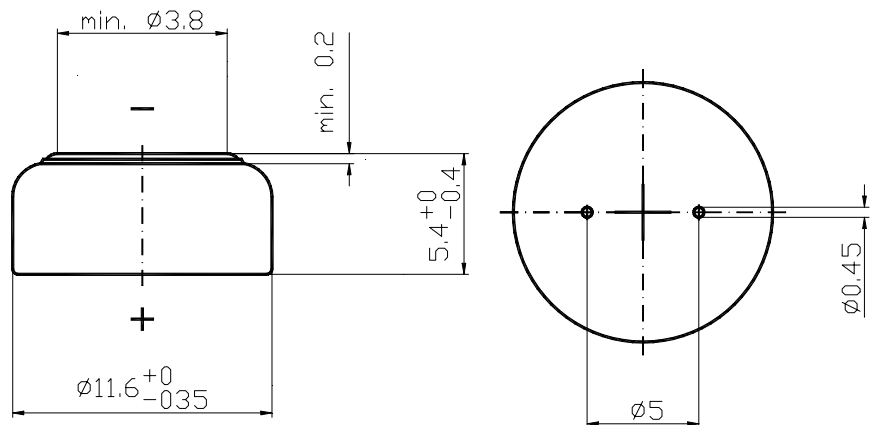
Chemical system	Zinc / Air
Nominal Voltage	1,4 V
Capacity	610 mAh, Discharge over 620 Ω 12 hours per day at 20°C to 0,9 V
Operating Temperature	0°C – 50°C
Self Discharge	Less than 5% per year at 20°C with label applied
Weight	~1,97 g

**These batteries need air when they are used.
Battery compartment must allow free access of air.**

Dimensions

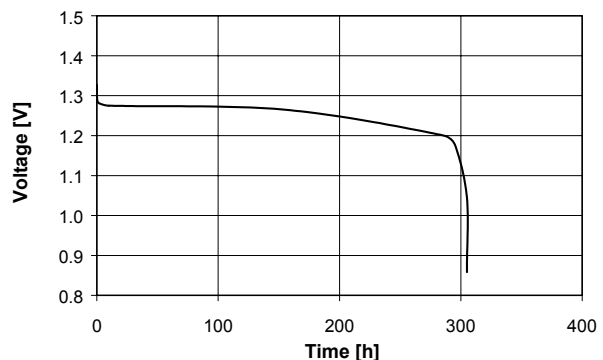
(according IEC 60086-2)

Diameter	11,6 mm (0,457")
Height	5,4 mm (0,213")



12 hours per day at 20°C, 7 days/week, 50% rh

Constant Load	620 Ω
Average current Drain	2,0 mA



Rev. ZA675.11 06/02