



- Relays with transistor output up to 500 mA / 70 V DC
- 35 mm DIN rail mounting, EN 50022; screw terminals 0,2...4 mm²
- Interconnection strips type **ZG20** available

Transistor - output

Max. switching voltage	DC	70 V
Min. switching voltage	DC	5 V
Rated load	DC1	0,5 A / 70 V DC
Min. switching current		1 mA

Input specifications

Rated voltage	DC	5...32 V
	AC/DC	24-230 V
Turn-off voltage		AC: $\geq 0,2 U_n$ DC: $\geq 0,1 U_n$
Rated power consumption		0,3 W 5...32 V DC at 24 V
		0,3 W/VA 24 V AC/DC
		1,0 W/VA 230 V AC/DC

Insulation

Insulation category	C250
Insulation rated voltage	600 V AC
Rated insulation voltage I/O	3 000 V AC

General data

Max. switching frequency	10 kHz	5...32 V DC (for load up to 24 V DC - 15 KHz)
	----	24 V AC/DC
	----	230 V AC/DC
Dimensions (L x W x H)	80 x 6,2 x 93,8 mm	
Weight	40 g	
Ambient temperature:		
• storing	-40...+70 °C	
• operating	-40...+55 °C	
Protection category	IP 20	

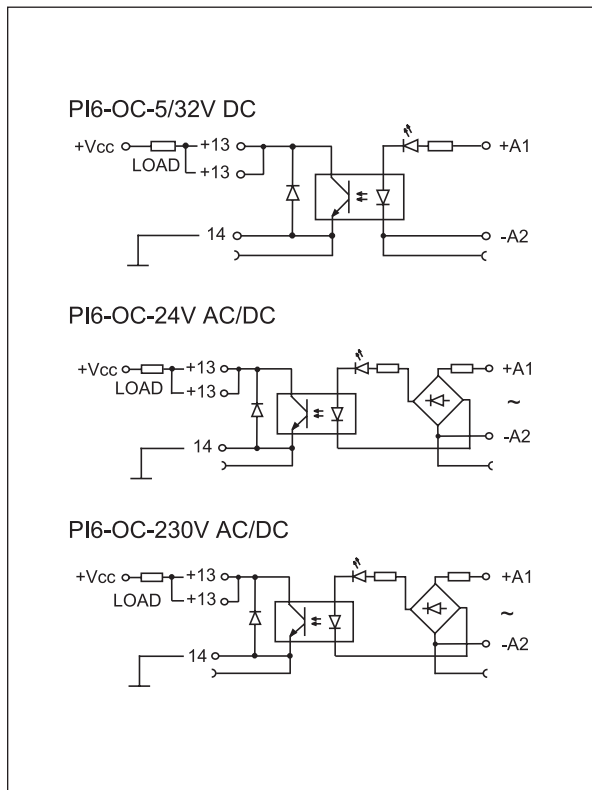


Input data

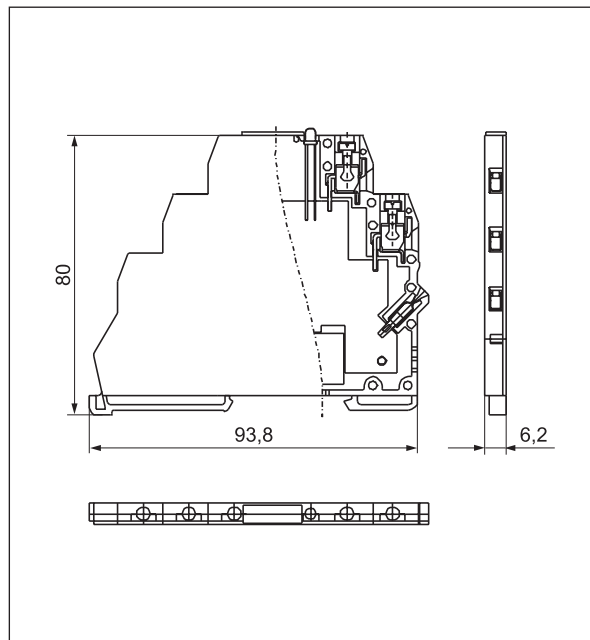
Table 3

Relay code	Nominal input voltage U_n
PI6-OC-5/32V DC	5...32 V DC
PI6-OC-24V AC/DC	24 V AC/DC
PI6-OC-230V AC/DC	230 V AC/DC

Connection diagrams



Dimensions



Mounting

Relays **PI6-OC** are designed for mounting on 35 mm DIN rail mount, EN 50022. Interconnection strip type **ZG20** for bridging of common outputs and inputs available colours of strips: red **ZG20-1**, black **ZG20-2**, blue **ZG20-3**.

Ordering codes

See **Input data** - Table 3

